

Coastal Profiler Mooring – Set-up Checklist

Checklist Document Number:	3166-80203	Version:	1-00	Date:	9/16/14
-----------------------------------	-------------------	-----------------	-------------	--------------	----------------

Cruise #: _____

Date: _____

Mooring S/N _____

Time (UTC): _____

Pass	By (initial) or N/A
Mooring groom	

- install magnet and retainer
- remove the buoy tower
- mount XEOS beacon (previously configured and activated)
- remove, power on, and reinstall the buoy flasher
- remove well end cap (record Serial Number)

confirm IMM jumpers are installed correctly

Record IMM Serial Number

Verify the following jumpers are installed: JP6, JP7

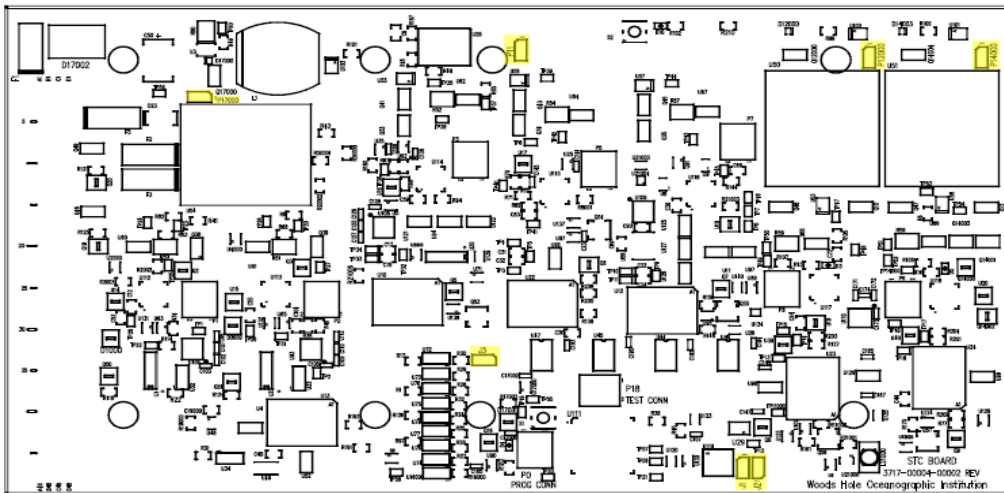
Verify the following jumpers are NOT installed: JP1, JP2, JP3

confirm the STC jumpers are installed correctly

- J1 - removed
- J2 - removed
- J3 - removed
- P11 - installed
- P12000 - removed
- P14000 - removed
- P17000 - removed

Endcap S/N: _____

IMM S/N: _____



- J1 -- Install for 3.3v USB power
- J2 -- Install for 5v USB power
- J3 -- Install to defeat CE softstart
- P11 -- Install for MP_3v3 enable (normally installed)
- P12000 -- Install to enable IRIDIUM Murata DCC with "N" suffix
- P14000 -- Install to enable RFM-WiFi Murata DCC with "N" suffix
- P17000 -- Install to enable SENSOR Murata DCC with "N" suffix

confirm RTE jumpers are installed correctly

Verify the following jumper is installed: J4

Verify no other jumpers are installed

confirm the STC fuses are not blown

F1 < 1 ohm

Record resistance: _____

F5 < 1 ohm

Record resistance: _____

attach dessicant packs to end cap chassis

confirm the inline fuses are correct

main battery 5AGC

RTE battery 1AGC

Coastal Profiler Mooring – Set-up Checklist

Checklist Document Number:	3166-80203	Version:	1-00	Date:	9/16/14
-----------------------------------	-------------------	-----------------	-------------	--------------	----------------

Cruise #: _____

Date: _____

Mooring S/N _____

Time (UTC): _____

Pass	By (initial) or N/A	
<input type="checkbox"/>		lubricate o-ring with DC-4, cover exposed well flange with Parker o-lube to prevent corrosion
<input type="checkbox"/>		make all internal buoy well end cap connections (i.e.: RTE), replace well end cap (do not bolt up)
<input type="checkbox"/>		connect a test computer to the RFM bulkhead connector
<input type="checkbox"/>		cold boot the buoy (remove the end cap magnet and reinstall the retainer)
<input type="checkbox"/>		confirm the buoy boots
<input type="checkbox"/>		shut down the buoy
<input type="checkbox"/>		bin/halt
<input type="checkbox"/>		mount buoy tower (2 places)
<input type="checkbox"/>		lubricate bulkhead connector pairs and make all tower connections to well end cap
<input type="checkbox"/>		connect a test computer to the RFM bulkhead connector
<input type="checkbox"/>		cold boot the buoy (remove the end cap magnet and reinstall the retainer)
<input type="checkbox"/>		confirm the buoy boots
<input type="checkbox"/>		shut down the buoy
<input type="checkbox"/>		bin/halt
<input type="checkbox"/>		install magnet and retainer
<input type="checkbox"/>		remove the RFM communication cable
<input type="checkbox"/>		bolt up the well end cap (8 places)
<input type="checkbox"/>		install 6-pin external power dummy plug
<input type="checkbox"/>		attach ground strap to buoy well
<input type="checkbox"/>		bolt up the buoy tower (16 places)
<input type="checkbox"/>		install the deployment battery in the MMP
<input type="checkbox"/>		spin the MMP
<input type="checkbox"/>		connect the deployment battery in the ADCP
<input type="checkbox"/>		spin the ADCP