

**Coastal Profiler Buoy – Set-up Checklist**

Checklist Document Number:	3166-80203	Version:	2-00	Date:	9/12/16
----------------------------	------------	----------	------	-------	---------

Cruise #: \_\_\_\_\_

Date: \_\_\_\_\_

Mooring S/N: \_\_\_\_\_

Time (UTC): \_\_\_\_\_

Pass  By (initial) or N/A

**Buoy Electro/Mech Assembly**

**Tower Inspection**

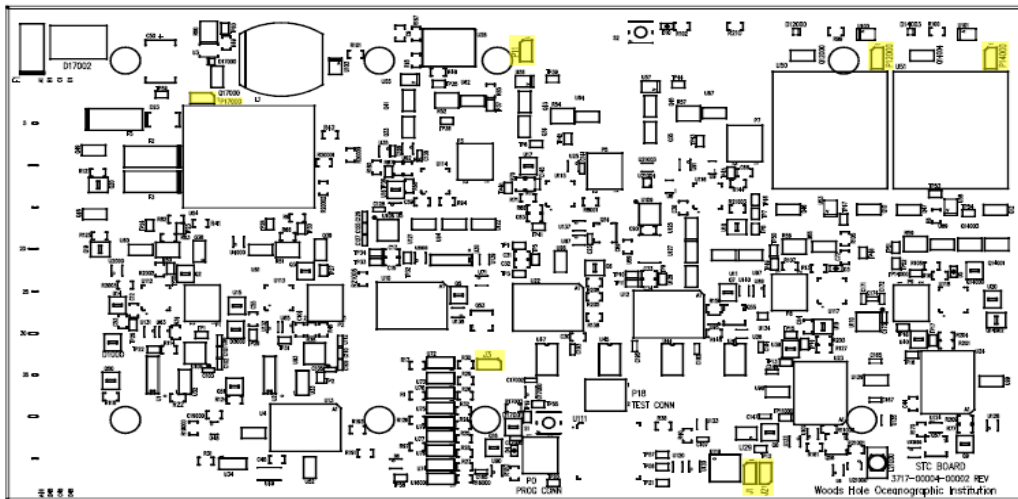
- Mount XEOS beacon (previously configured and activated)
- Confirm buoy flasher flashes and note serial number on configuration sheet
- Record telemetry serial numbers/ imei numbers on Mooring Configuration sheet
- Inspect clamp and c-channel bolts
- Inspect band clamps and confirm they are tight
- Inspect ground wires
- Confirm cable lacing and proper connector strain relief

**Endcap inspection**

- Install magnet and retainer
- Record well end cap Serial Number
- Record IMM Serial Number
- Confirm IMM jumpers are installed correctly
- Verify the following jumpers are installed: JP6, JP7
- Verify the following jumpers are NOT installed: JP1, JP2, JP3
- confirm the STC jumpers are installed correctly
- J1 - removed
- J2 - removed
- J3 - removed
- P11 - installed
- P12000 - removed
- P14000 - removed
- P17000 - removed

Endcap S/N: \_\_\_\_\_

IMM S/N: \_\_\_\_\_



- J1 -- Install for 3.3v USB power
- J2 -- Install for 5v USB power
- J3 -- Install to defeat CE softstart
- P11 -- Install for MP\_3v3 enable (normally installed)
- P12000 -- Install to enable IRIDIUM  
Murata DCC with "N" suffix
- P14000 -- Install to enable RFM-WiFi  
Murata DCC with "N" suffix
- P17000 -- Install to enable SENSOR  
Murata DCC with "N" suffix

## Coastal Profiler Buoy – Set-up Checklist

Checklist Document Number:	3166-80203	Version:	2-00	Date:	9/12/16
----------------------------	------------	----------	------	-------	---------

Cruise #: \_\_\_\_\_

Date: \_\_\_\_\_

Mooring S/N: \_\_\_\_\_

Time (UTC): \_\_\_\_\_

Pass	By (initial) or N/A	
------	---------------------	--

- |                          |  |   |
|--------------------------|--|---|
| <input type="checkbox"/> |  | Remove label and archive previous deployments SD Card |
|                          |  | confirm the STC fuses are not blown                   |
| <input type="checkbox"/> |  | F1 < 1 ohm  |
|                          |  | Record resistance: _____                              |
| <input type="checkbox"/> |  | F2 < 1 ohm  |
|                          |  | Record resistance: _____                              |
| <input type="checkbox"/> |  | F3 < 1 ohm  |
|                          |  | Record resistance: _____                              |
| <input type="checkbox"/> |  | F5 < 1 ohm  |
|                          |  | Record resistance: _____                              |
| <input type="checkbox"/> |  | Confirm the Wi-Fi is plugged into Eth 0               |

### Battery installation

- |                          |  |   |
|--------------------------|--|---|
|                          |  | confirm the inline fuses are correct                                |
| <input type="checkbox"/> |  | main battery 5AGC   |
| <input type="checkbox"/> |  | RTE battery 1AGC  |
| <input type="checkbox"/> |  | Record battery pack serial number                                   |
|                          |  | Battery pack: _____   |
| <input type="checkbox"/> |  | Record Main Battery voltage   |
|                          |  | Main Voltage: _____   |
| <input type="checkbox"/> |  | Record RTE battery voltage  |
|                          |  | RTE voltage: _____  |
| <input type="checkbox"/> |  | Record leak detect resistance                                       |
|                          |  | Expected resistance = approx. 100 Ohms                              |
|                          |  | pins 1-2 _____  |
|                          |  | pins 3-4 _____  |
| <input type="checkbox"/> |  | Install battery into buoy well (CAUTION NOT TO DAMAGE LEAK DETECT)  |
| <input type="checkbox"/> |  | Check battery retaining ring is tight                               |
| <input type="checkbox"/> |  | Attach desiccant packs under battery pack chassis handle            |
| <input type="checkbox"/> |  | Install ground wire into the buoy well and check continuity to well |

### Endcap Installation

- |                          |  |  |
|--------------------------|--|--|
|                          |  | Clean O-ring groove and well flange with alcohol   |
| <input type="checkbox"/> |  | lubricate O-ring with DC-4, cover exposed well flange with Parker o-lube to prevent corrosion  |
| <input type="checkbox"/> |  | <b>make all 4 internal buoy well end cap connections (i.e.; Main Power, Leak detect, Ground, RTE), replace well end cap (do not bolt up)</b> |
| <input type="checkbox"/> |  | connect a test computer to the RFM bulkhead connector  |
| <input type="checkbox"/> |  | cold boot the buoy (remove the end cap magnet and reinstall the retainer)  |
| <input type="checkbox"/> |  | confirm the buoy boots   |
|                          |  | shut down the buoy   |
| <input type="checkbox"/> |  | bin/halt   |
| <input type="checkbox"/> |  | Install 1/4 x 20 endcap hardware with appropriate bushing washers locks and nuts   |
| <input type="checkbox"/> |  | Pull Vacuum to approx. 10inHg and tighten SAE vac port   |

### Mount buoy tower (2 places)

- |                          |  |   |
|--------------------------|--|---|
|                          |  | lubricate bulkhead connector pairs and make all tower connections to well end cap |
| <input type="checkbox"/> |  | cold boot the buoy (remove the end cap magnet and reinstall the retainer)         |
| <input type="checkbox"/> |  | confirm the buoy boots  |
| <input type="checkbox"/> |  | Confirm free wave connection  |
| <input type="checkbox"/> |  | Confirm Wi-Fi connection  |
|                          |  | Display Buoy web page     192.168.0.51  |

**Coastal Profiler Buoy – Set-up Checklist**

<b>Checklist Document Number:</b>	<b>3166-80203</b>	<b>Version:</b>	<b>2-00</b>	<b>Date:</b>	<b>9/12/16</b>
-----------------------------------	-------------------	-----------------	-------------	--------------	----------------

**Cruise #:** \_\_\_\_\_

**Date:** \_\_\_\_\_

**Mooring S/N:** \_\_\_\_\_

**Time (UTC):** \_\_\_\_\_

Pass	By (initial) or N/A	
<input type="checkbox"/>	<input type="text"/>	Confirm battery voltage equals previously measured values
<input type="checkbox"/>	<input type="text"/>	Record Vacuum <span style="float: right;">Vacuum: _____</span>
<input type="checkbox"/>	<input type="text"/>	shut down the buoy
<input type="checkbox"/>	<input type="text"/>	bin/halt
<input type="checkbox"/>	<input type="text"/>	install magnet in retainer
<input type="checkbox"/>	<input type="text"/>	attach ground strap to buoy well
<input type="checkbox"/>	<input type="text"/>	Complete bolt up the buoy tower (16 places)
<input type="checkbox"/>	<input type="text"/>	Complete cable lacing
<input type="checkbox"/>	<input type="text"/>	Inspect Reflective stickers and confirm they are in good shape. Replace as required